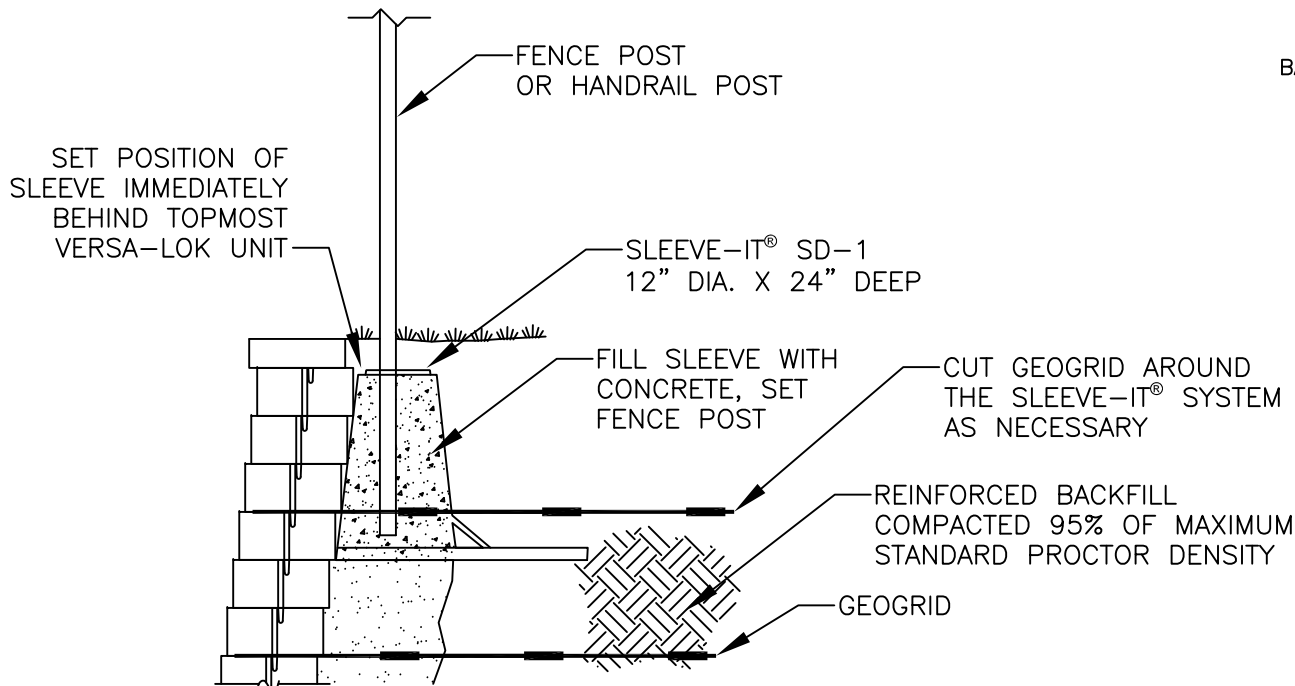
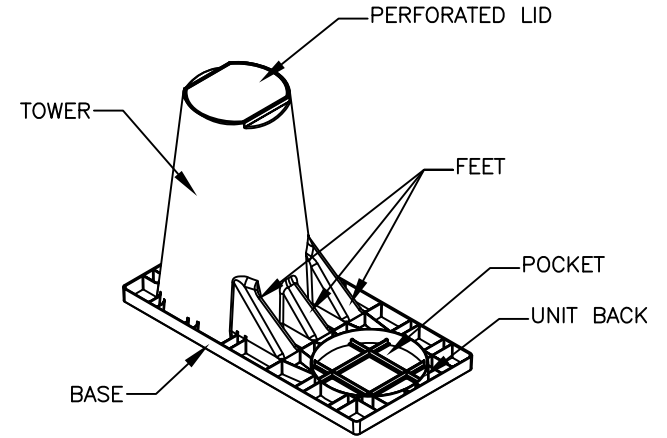


*SEE SLEEVE-IT[®] MANUFACTURER, STRATA SYSTEMS PREFERRED SPECIFICATION DOCUMENT FOR APPROPRIATE APPLICATIONS. NOT SUITABLE FOR SOLID BOARD PRIVACY FENCES, PRIVACY CLOTH, OR SCREENING.



SLEEVE-IT[®] SD-1

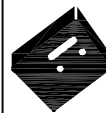
SYSTEM COMPONENTS
SCALE: NONE

SEE SLEEVE-IT[®] SYSTEM MANUFACTURER, STRATA SYSTEMS FOR COMPLETE SPECIFICATIONS, AND TECHNICAL GUIDANCE

FENCE POST DETAIL W/ SLEEVE-IT[®] SD-1

STANDARD UNIT WITH SLEEVE-IT[®] SD-1
SCALE: 1/2"=1'

THESE PRELIMINARY DETAILS ARE INTENDED AS AN AID IN DESIGNING ATTRACTIVE, DURABLE RETAINING WALLS WITH VERSA-LOK UNITS. FINAL DETERMINATION OF THE SUITABILITY OF ANY INFORMATION OR MATERIAL FOR THE USE CONTEMPLATED, AND ITS MANNER OF USE, IS THE SOLE RESPONSIBILITY OF THE USER. A FINAL PROJECT SPECIFIC DESIGN SHOULD BE PREPARED BY A QUALIFIED, LICENSED, PROFESSIONAL ENGINEER.



VERSA-LOK[®]
Retaining Wall Systems

(800)770-4525 fax(651)770-4089
6348 Hwy36 Ste1, Oakdale, MN 55128 **Solid Solutions[™]**

VERSA-LOK STANDARD DETAILS

FENCE POST WITH SLEEVE-IT[®]

SCALE:	AS NOTED
DRAWN BY:	PDL
CHECKED BY:	
DATE:	6/2019
OWG. NO.	strid fence post with sleeve it